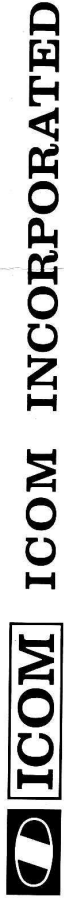
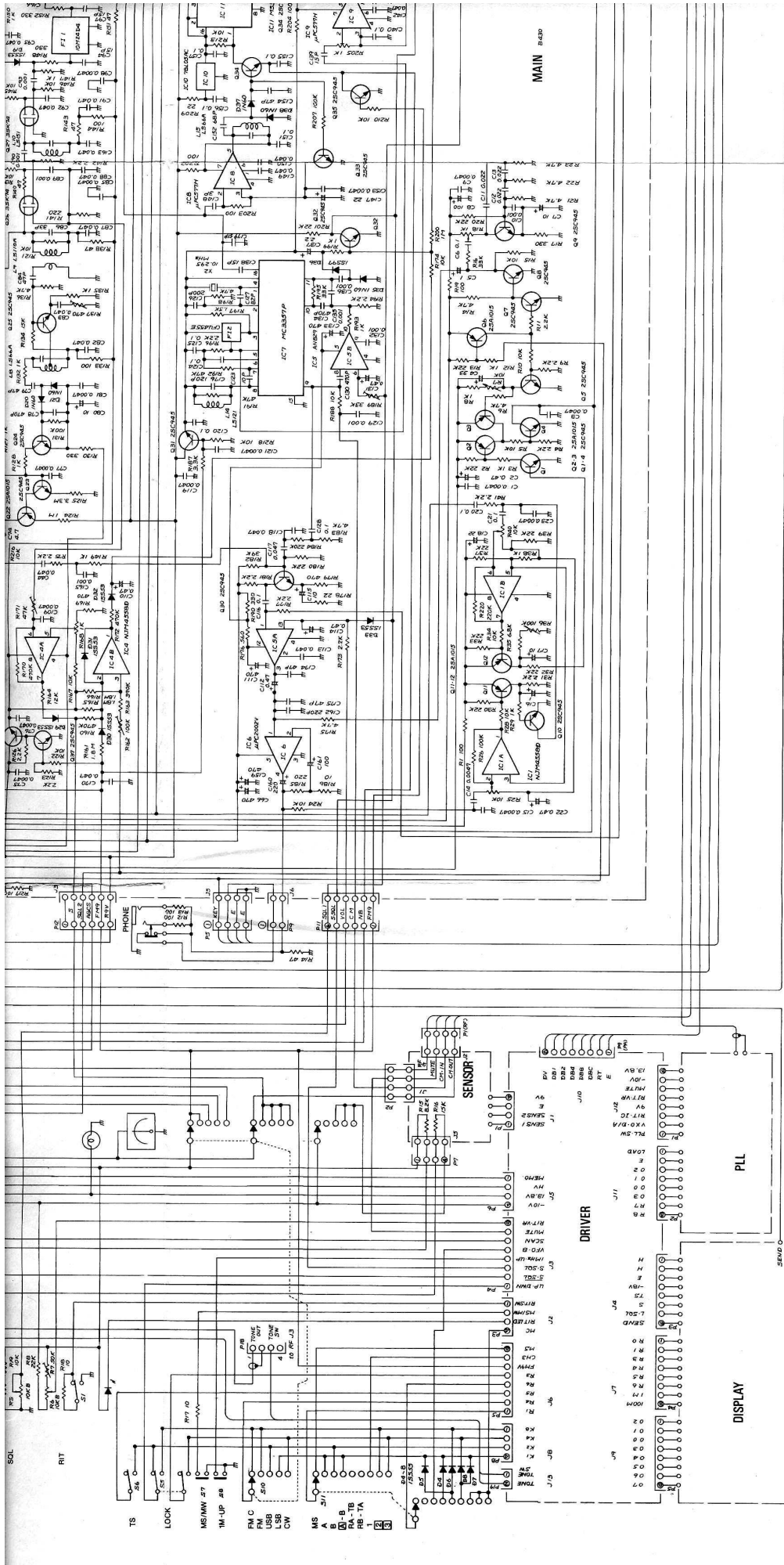
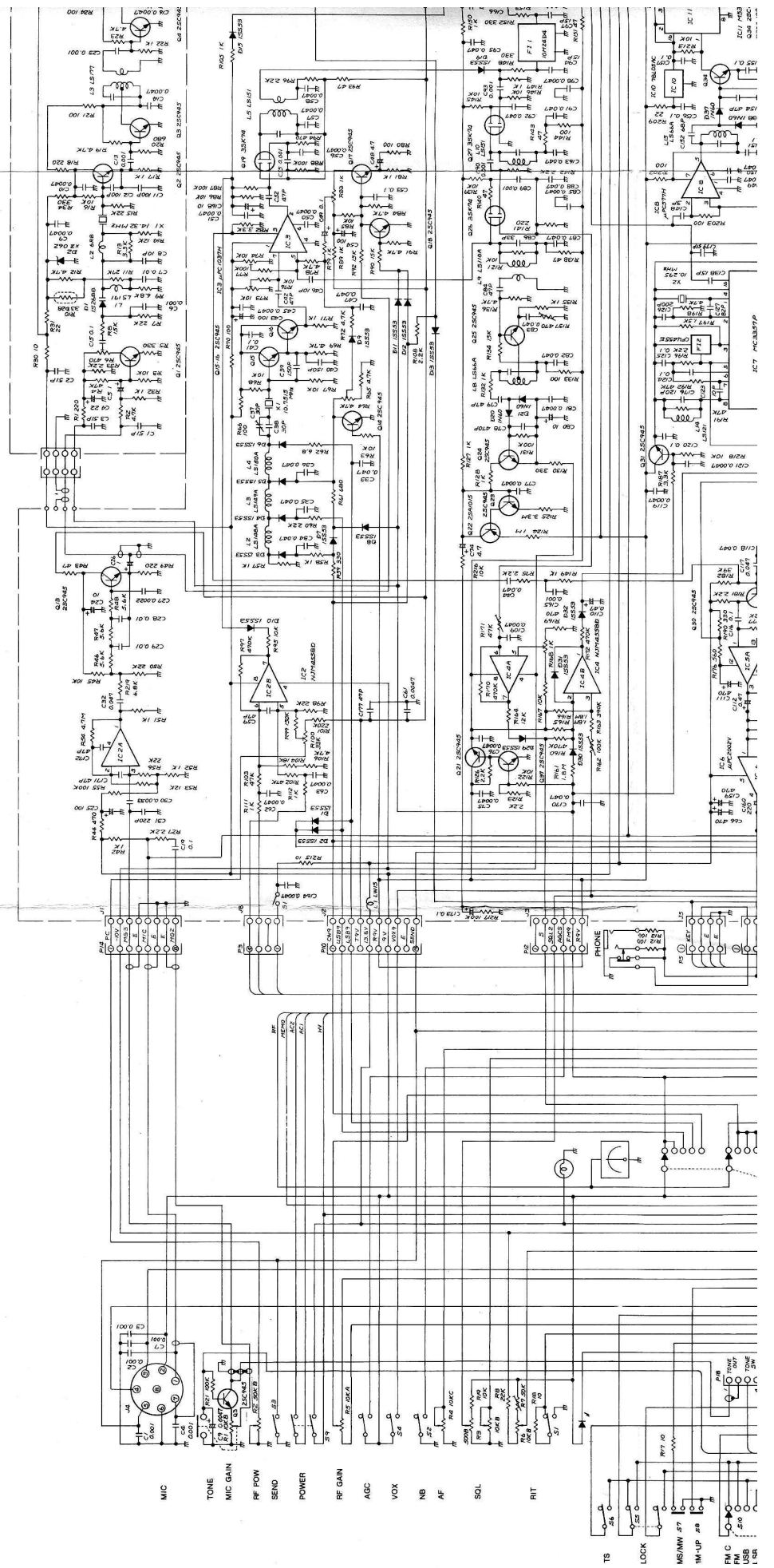


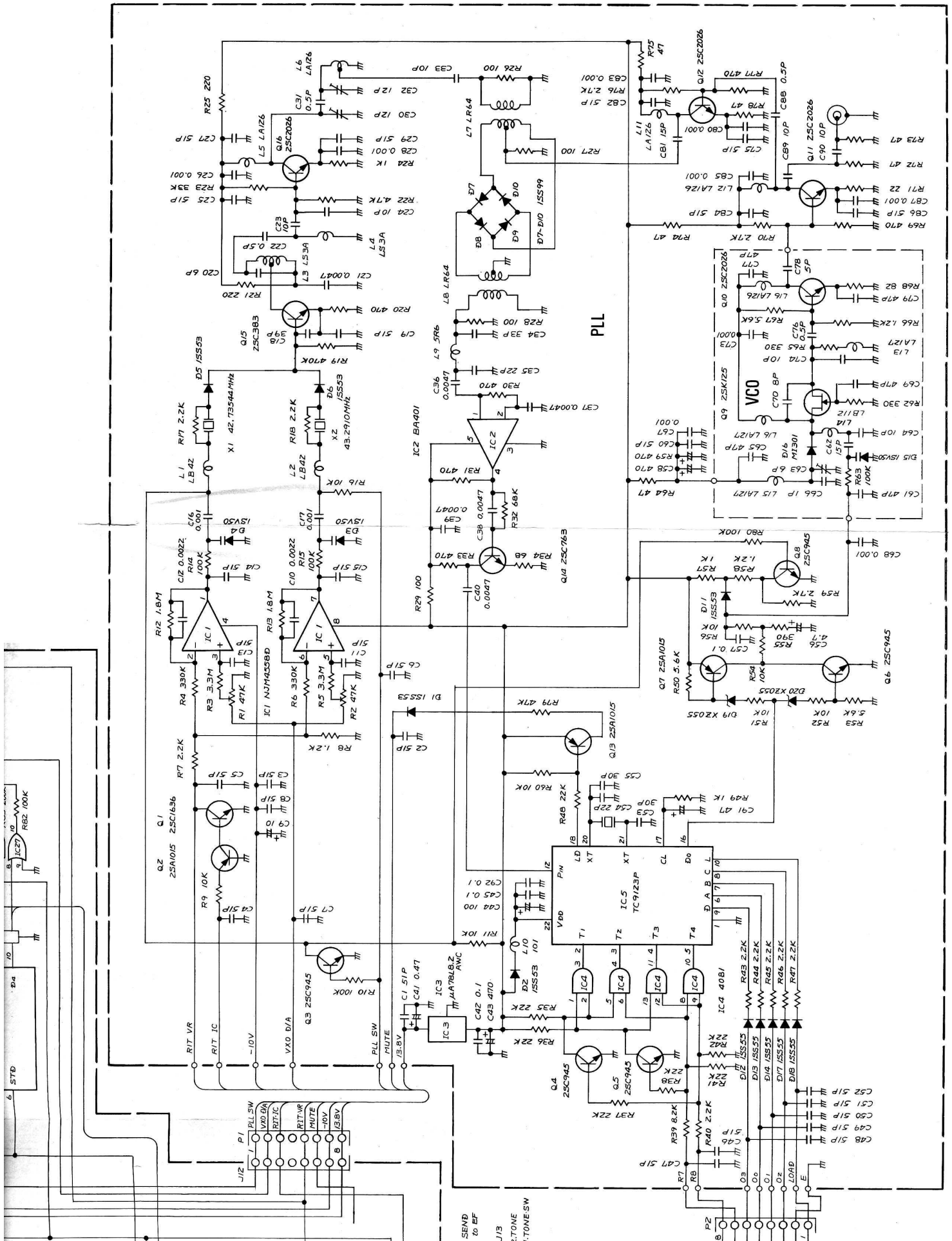
Some components subject to change for an improvement without notice.





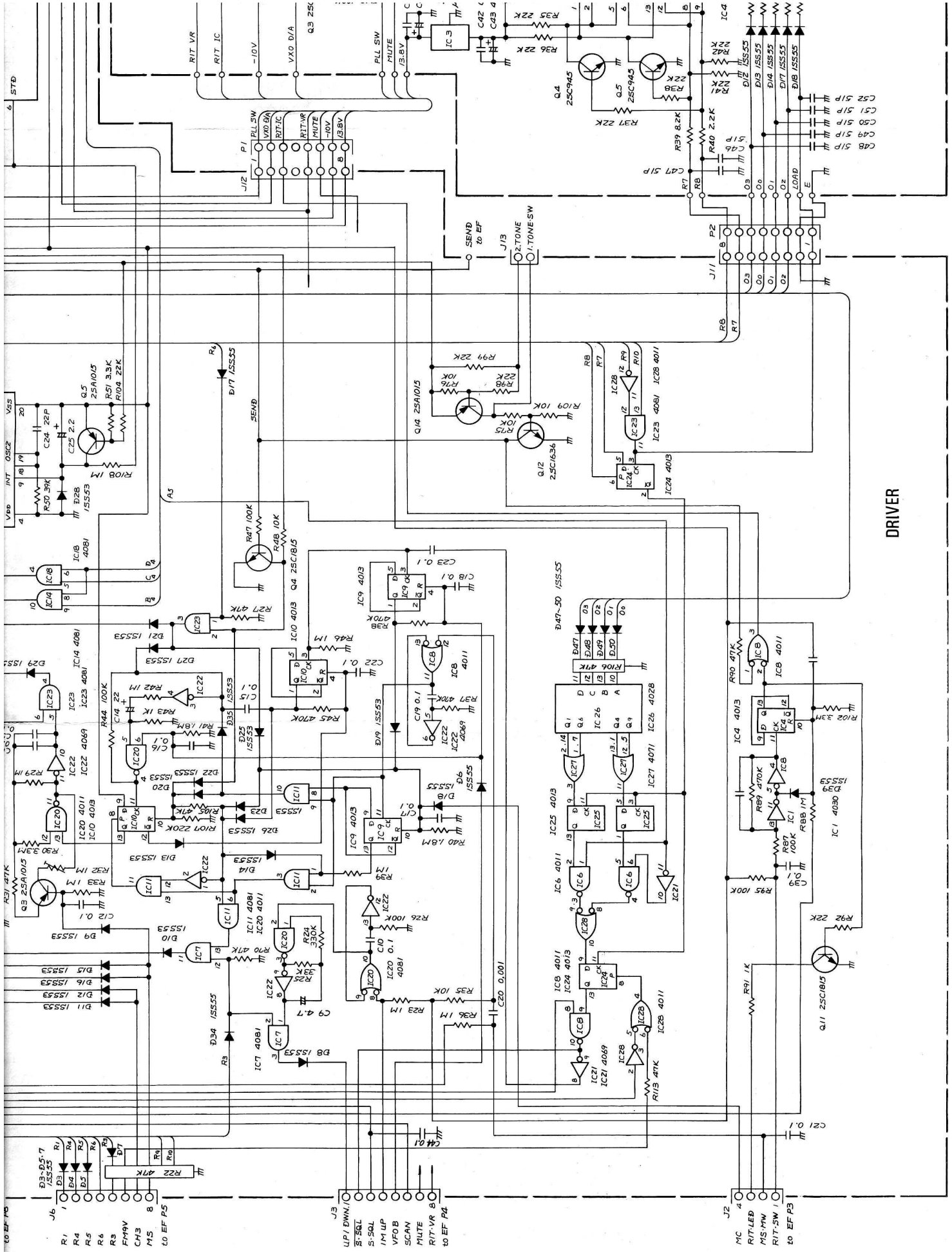
IC-451A/E SCHEMATIC DIAGRAM





SEND TO EF
 J13
 TONE
 TONESW

P2
 P3
 P4
 P5
 P6
 P7
 P8
 P9



DRIVER



