



MODEL AC-4 POWER SUPPLY

DESCRIPTION.

The R. L. Drake Model AC-4 Power Supply is suitable for use with all Drake 4-line transceivers and transmitters. It supplies all the required voltages with the proper filtering and regulation and may be operated from 120 or 240 Volts AC, 50 or 60 Hz.

INSTALLATION.

This unit was designed to fit inside the cover of Model MS-4 Matching Speaker or the Remote VFO unit. To mount it in either of these units, slide it in from the rear so that the line cord and power cable face outward and fasten it in place with the four studded rubber feet provided. Plug the female con-

necter on the end of the power cable into the male connector on the rear of the Drake Transceiver or Transmitter. (Refer to the installation instructions for the equipment.) A 6 inch lead terminated in a female plug extends from the power connector for connecting the MS-4 Speaker when the AC-4 is used with the Drake TR-3 or TR-4 Transceiver. The bias adjustment should be set properly before operation. (Refer to the tuneup procedure in the Transceiver or Transmitter manual.)

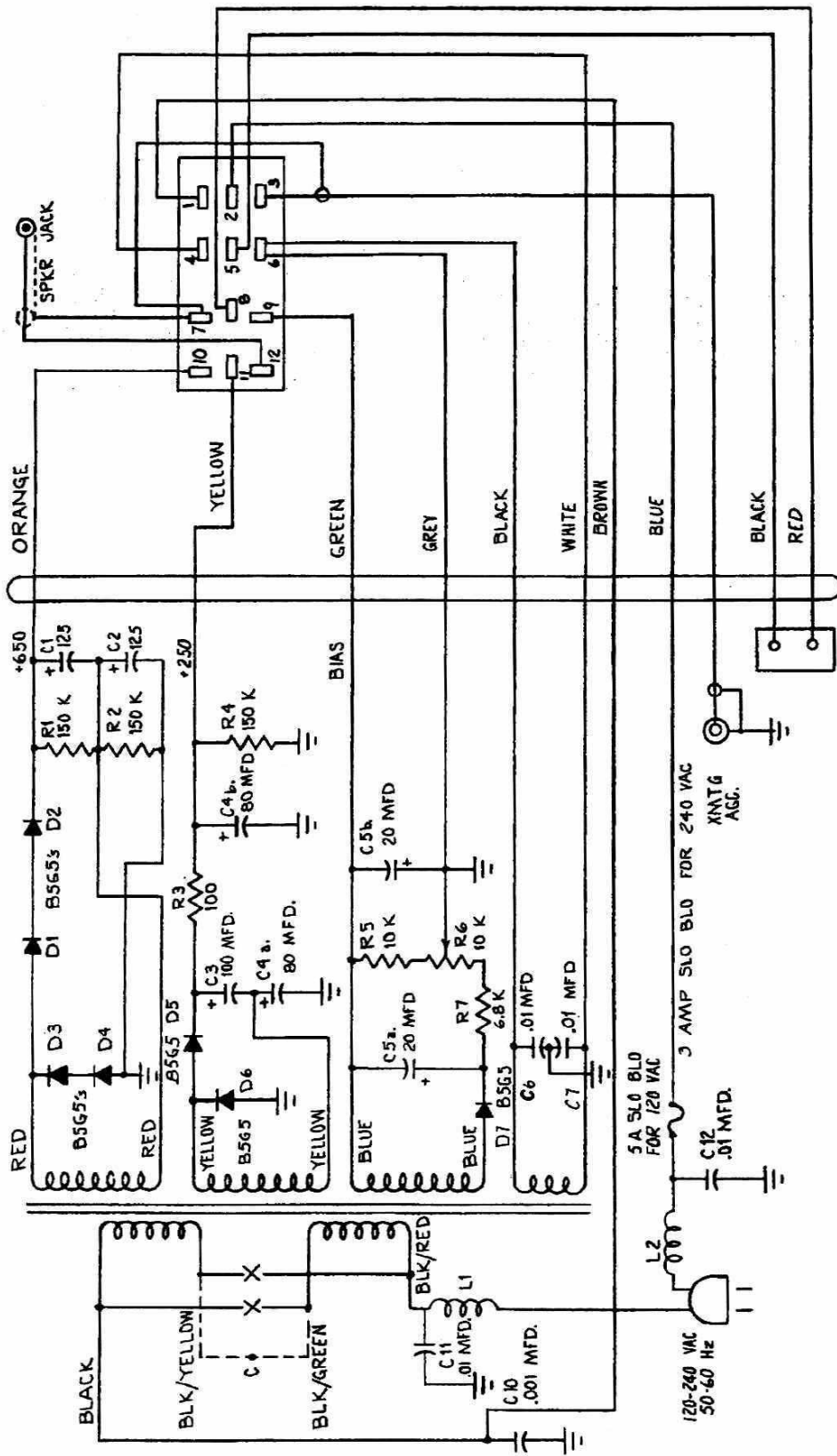
CAUTION

DO NOT SHIP THE AC-4 MOUNTED
INSIDE EITHER CABINET. SERIOUS
DAMAGE TO THE CABINET MAY
RESULT IN TRANSIT.

SPECIFICATIONS

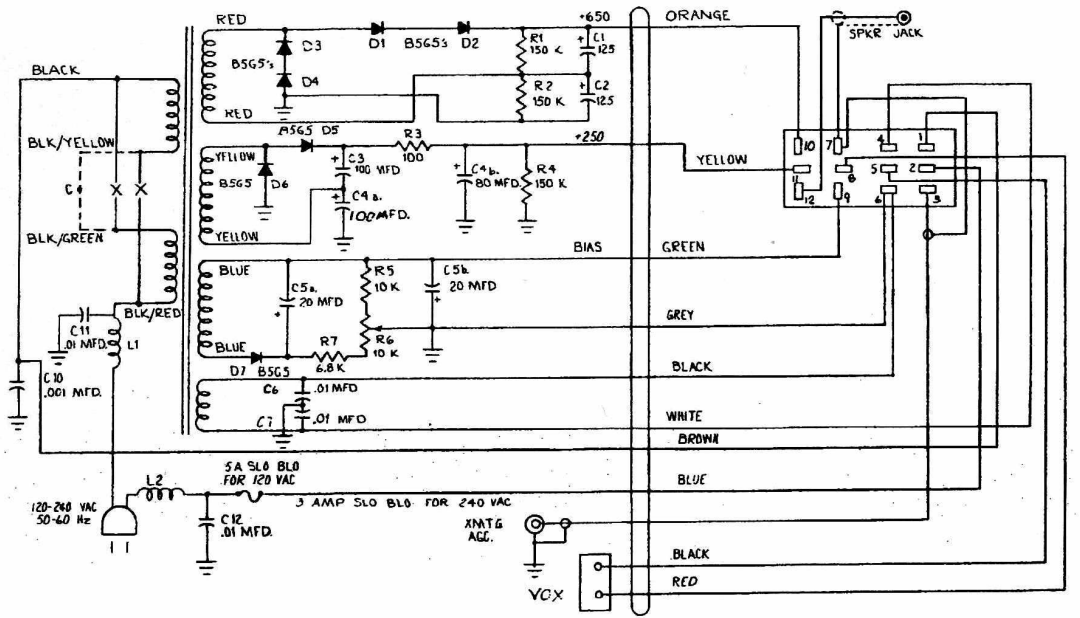
Input:	120 or 240 Volts AC 50/60 Hz.
Output:	650 Volts DC at 300 mA average (500 mA peak). 250 Volts DC at 175 mA. -45 to -65 Volts DC adjustable bias into 33 K Ohms. 12.6 Volts AC at 5.5 Amperes.
Size:	5 inches High x 10 inches Wide x 4-3/4 inches Deep. (12.7 cm. High x 25.4 cm. Wide x 12 cm. Deep.)
Weight:	17 pounds, 2 ounces. (7.75 Kg.)

R. L. DRAKE COMPANY
540 Richard Street • Miamisburg, Ohio 45342 U.S.A.
Telephone: 513-866-3621 • Telex: 288-017



NOTE: FOR 240 VAC OPERATION DISCONNECT WIRES MARKED X AND CONNECT ----- AN EXTRA TERMINAL IS PROVIDED FOR CONNECTION G.

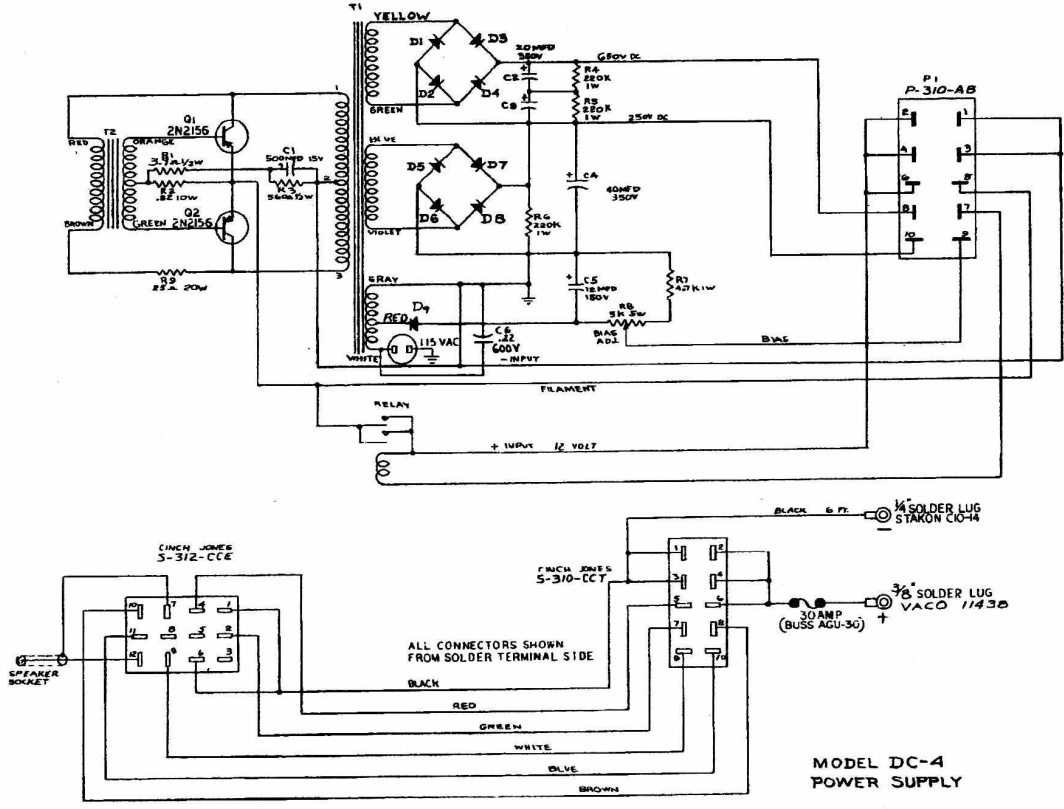
AC-4 Power Supply Schematic



NOTE:
 FOR 240 VAC OPERATION DISCONNECT
 WIRTS MARKED —X— AND
 CONNECT ——— AN EXTRA TERMINAL
 IS PROVIDED FOR CONNECTION C.

MODEL AC-4 POWER SUPPLY

Figure 5-3. AC-4 Power Supply Schematic



MODEL DC-4
 POWER SUPPLY

Ø FEET 6 CONDUCTOR CABLE
 BELDEN 844 G

Figure 5-4. DC-4 Power Supply Schematic

AC-3/AC-4 SPARE PARTS LIST

Oct. 1, 1976

Note: Order parts by description
include part number if shown.

Prices subject to change
without notice.

Part Number	Symbol	Item	Price Each
-----	-----	Cable assembly, power w/connector	\$ 6.60
-----	-----	Cabinet top	4.00
-----	-----	Cabinet bottom	2.50
-----	C-1	Cap., tubular, .05 @1600 V, AC-3 only	2.00
-----	C-2&3	Cap., elect., 100 @150 V, AC-3 only	1.85
-----	C-4,6&7	Cap., elect., 80 ufd @350 V, AC-3 only	2.10
318-0360	C-5	Cap., elect., 40-40 ufd @150 V	1.85
318-0380	C-4	Cap., elect., 100-100 ufd 350 V	3.50
318-0160	C-3	Cap., elect., 100 ufd @150 V	1.85
318-0180	C-1&2	Cap., elec., 125 ufd @450 V	3.00
-----	-----	Cap., disc. high voltage, specify value	.25
-----	-----	Cap., disc. low voltage, specify value	.10
387-1060	-----	Carton, shipping	2.50
-----	L-1&2	Choke, AC line	.75
-----	L-1	Choke, input, AC-3 only	10.00
371-2030	-----	Cord AC line	3.00
328-0580	-----	Connector, power cable, S-312-CCT	1.65
326-0080	R-6	Control, MH-4760, bias, 10 K	1.35
302-0220	C-1/7	Diode, B5G5 or equiv.	.75
342-0170	-----	Fuse, 5 amp. Slo-Blo	.50
-----	-----	Fuse, 6-1/4 amp.	.50
342-1000	-----	Fuse, holder	.75
328-1060	-----	Jack, RCA, AGC	.15
328-1510	-----	Jack, vox relay, 5-2001 M	.25
329-1050	-----	Plug, vox relay 54-3001 M	.15
-----	-----	Resistor, 1/2 watt, specify value	.10
324-0085	R-1,2&4	Resistor, 1 watt, 150 K ohm	.20
325-0170	R-3	Resistor, 1/2 watt, 100 ohm	.30
-----	-----	Resistor, 20 watt, AC-3 only	1.00
369-0040	T-1	Transformer, power, specify model & ser. no.	30.00

Postage will apply to all parts orders. ALL PARTS ORDERS NOT EXCEEDING \$15.00
WILL BE SUBJECT TO A \$1.00 HANDLING CHARGE.