



ALL NEW *Clegg 22'er MKII*

2 METER TRANSCEIVER

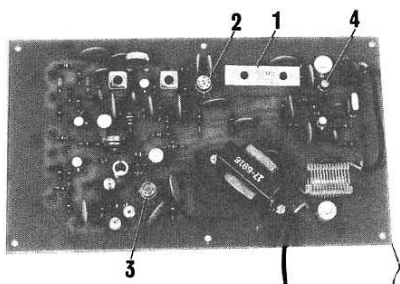
e.t. Clegg associates, inc.

LITTELL ROAD, EAST HANOVER, N. J. 07936 • PHONE: (201) 887-4940

EXCLUSIVE FEATURES

The MK II contains all the proven established features of the 22er plus:

- 40 Watts, Highly efficient Transmitter
- Self Contained solid state VFO (independent of receiver tuning)
- High Level Modulation with transformer coupled Push Pull 20 Watt Modulator
- Full Band Coverage from 143.4 to 148.4MHz includes MARS, CAP and CG AUXILLIARY frequencies.
- Dual Gate MOSFET FRONT END in all solid state receiver for improved sensitivity.
- Mechanical Filter in Integrated Circuit Second IF for improved skirt selectivity.
- New Receiver frequency conversion scheme for virtually complete freedom from spurious responses.
- Amplified AGC.
- Improved Noise Limiter
- High Quality NOISE CANCELLING MICROPHONE SUPPLIED.
- Dual Speed Receiver Tuning Dial



RECEIVER IF and AF MODULE

1. Mechanical Filter
- 2, 3. Integrated Circuit IF and AF amplifiers
4. Dual Gate MOSFET 2nd MIXER

SPECIFICATIONS

TRANSMITTER

FREQUENCY COVERAGE	143.4 to 148.4 MHz
INPUT POWER	35-40 Watts DC Input (115 VAC operation-approximately 32 watts on 12.6 VDC)
POWER OUTPUT	15 to 20 watts carrier output into 48-55 ohm resistive load
MODULATION CAPABILITY	90% negative peaks; 120% positive peaks Flat ± 3 db from 300 to 4000 Hz Down approx. 12 db at 120 and 6000 Hz
VFO STABILITY	Less than 800 Hz drift in any 10 minute period after warm-up

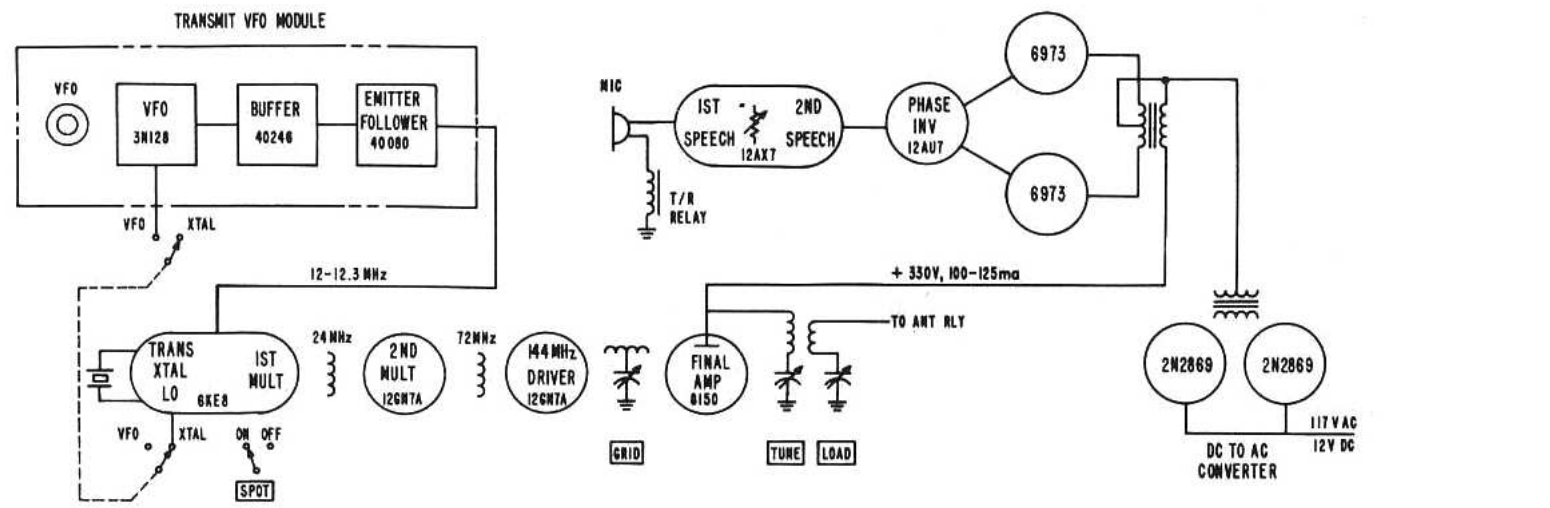
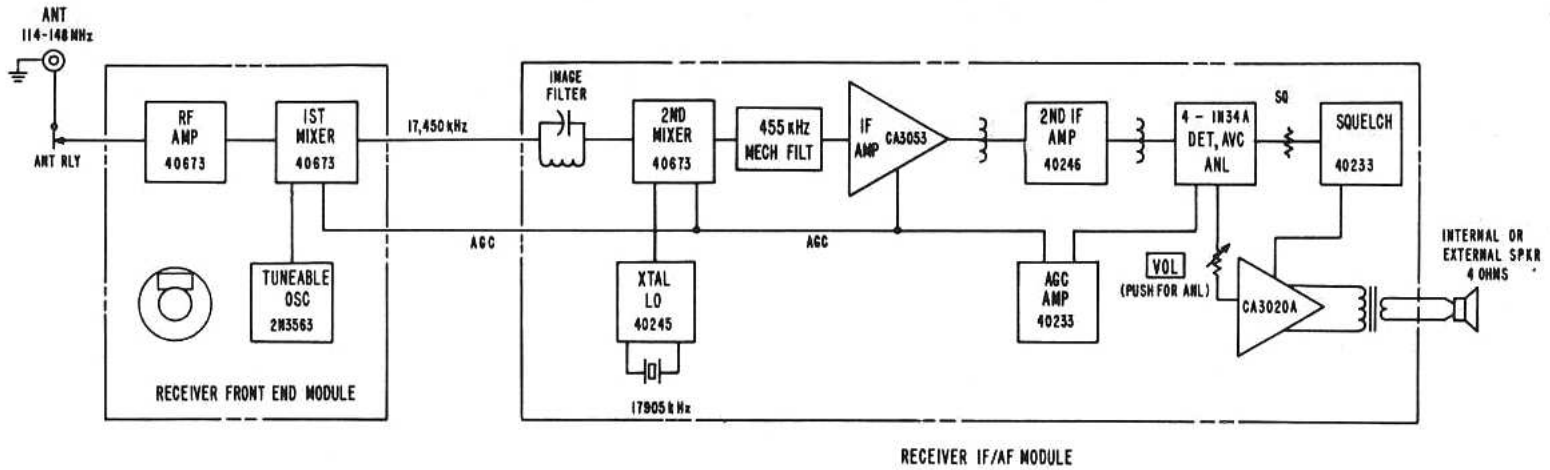
RECEIVER

FREQUENCY COVERAGE	143.4 to 148.4 MHz
SENSITIVITY	Less than .25 microvolt for 10 db S/N
SELECTIVITY	12 ± 1 KHz at 3 db KHz max at 40 db
STABILITY	Less than 2 KHz drift per hour
AUDIO OUTPUT	1 watt RMS into internal or external 3-4 ohm speaker
AGC CHARACTERISTICS	Output flat to 6 db for input signal range from .5uv to 10 millivolts
SQUELCH RANGE	.5 uv to 500 uv panel threshold range
MICROPHONE- (Supplied)	PTT type, hand held, ceramic, high impedance with Cardioid Pattern.

GENERAL

POWER SUPPLY	Self contained universal power supply for 115 VAC fixed station or 12 VDC for mobile station operation
POWER CONSUMPTION	115 VAC, 60 Hz 90 VA Receiver 160 VA Transmitter 12.6 VDC, 5 Amps Receive 12.6 VDC, 13 Amps Transmit
DIMENSIONS	12½" wide x 5½" high x 11½" deep.
WEIGHT	Net: 17½ lbs. Shipping: 25 lbs.
PANEL CONTROLS	1) Receiver Tuning, 2) Transmitter VFO Tuning, 3) Receiver Volume and ANL ON-OFF, 4) Squelch and Power ON-OFF, 5) Spot ON-OFF Switch, 6) Crystal -VFO Switch, 7) AMP Grid Tune, 8) Amp. Plate Tune, 9) Amp. Load

BLOCK DIAGRAM



e.t. Clegg associates, inc. LITTELL ROAD, EAST HANOVER, N. J. 07936
 PHONE: (201) 887-4940